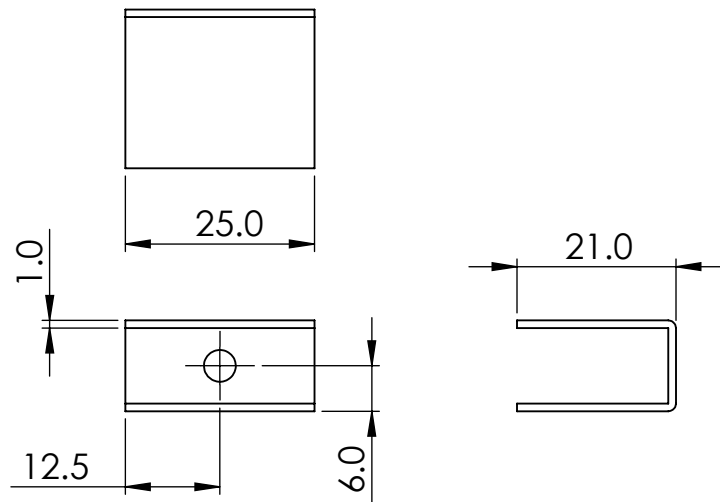


Standard Mild Steel Activator



CONFIDENTIAL

<p>Osico Limited, Maket House, 21 Lenton Street, Alton, Hampshire GU34 1HG, UK Tel: 0800 910 1810, www.osico.systems</p>	ISSUE	C/NOTE No.	DESCRIPTION	DRAWN	APP'VED	DATE	<p>GENERAL TOLERANCES (UNLESS STATED)</p> <p>0 DEC PLACE ±0.25mm 1 DEC PLACE ±0.10mm 2 DEC PLACE ±0.05mm ANGLES ±0.5°</p> <p>ALL PREVIOUS REVISIONS ARE TO BE ARCHIVED OR DESTROYED OR MARKED AS SUPERCEDED. NOTE DRAWING IS COMPUTER GENERATED, DO NOT SCALE OR CHANGE MANUALLY. REMOVE ALL BURRS AND SHARP EDGES. ALL DIMENSIONS ARE IN MILLIMETRES. SURFACE FINISH TO BE 1.6µm Ra UNLESS OTHERWISE STATED. THIRD ANGLE PROJECTION.</p>	MATERIAL	SCALE X:X UNLESS STATED	TITLE	DRAWING No.	SHEET 1 OF 1	SHEET SIZE A4
								FINISH		EXPORT CONTROL			

© DESIGN COPYRIGHT RESERVED - THIS DOCUMENT INCLUDING THE COPYRIGHT THEREIN, IS THE EXCLUSIVE PROPERTY OF OSICO LIMITED AND MAY NOT BE UTILISED FOR ANY PURPOSE OR DUPLICATED, COPIED, REPRODUCED OR TRANSMITTED TO ANY THIRD PARTY WITHOUT PERMISSION.