

609 – 25mm Stroke Inductive Position Sensor

- Non-Contact Inductive Technology
- 10 Bit Measurement resolution
- IP69K / IP68 fully Sealed
- 0-10V or 4-20mA Analogue
- Addressable RS485 Digital Comms
- Programmable Min/Max Travel
- Variety of connector options

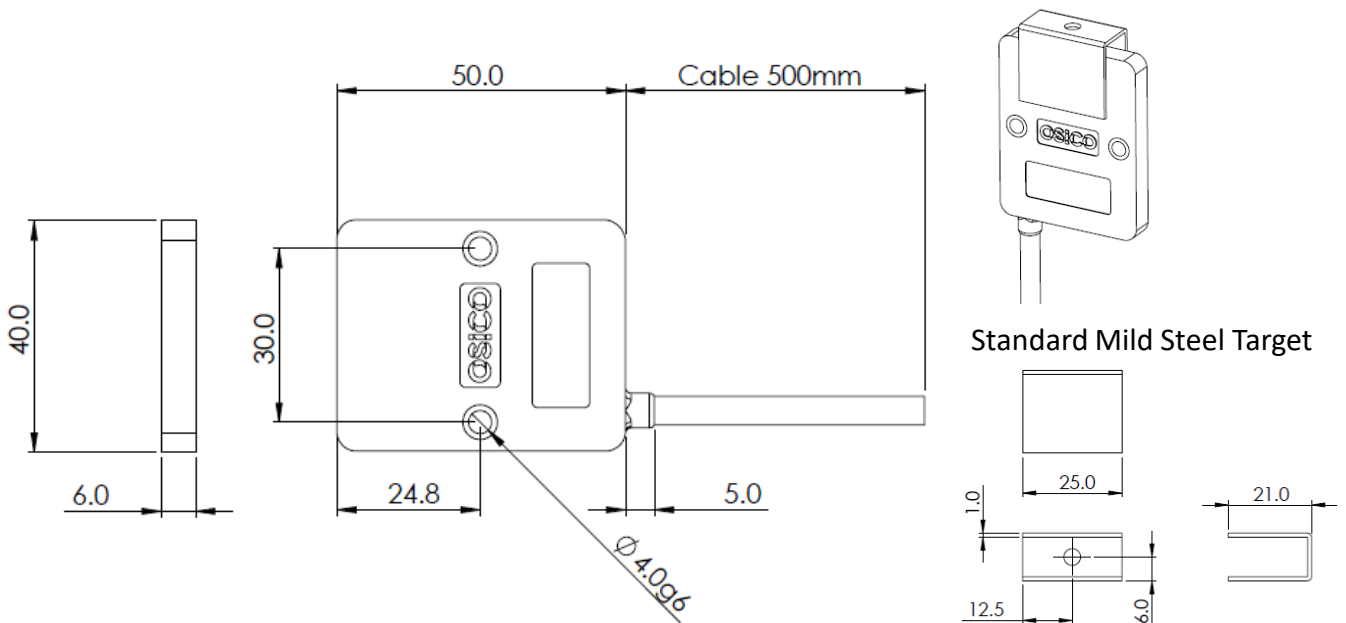


Function

This non-contact Inductive position sensor measures the relative movement of a low carbon steel target and communicates absolute position via Analogue or Serial. With 24um resolution the technology is well suited to pedal and limit position feedback applications.

The sensor is fully over moulded meaning impeccable sealing for challenging applications. The mounting holes are reinforced with 304 Stainless Steel bushes to prevent the M4 fixing screws causing PCB stress. The sensor can be field configured to variable Voltage or Current output. The min and max travel points are also programmable to account for variations in mechanical travel or set a reduced stroke.

Dimensions



609 – 25mm Stroke Inductive Position Sensor



Zero contact design



Min/Max travel conditions

Technical Data

Technical Article	Specification
Interface	
Analogue Voltage	0-10V – Configurable (e.g 0.25-4.75V)
Analogue Current	4-20mA (3 wire configuration)
Serial	RS485 (addressable)
Sample rate (analogue)	1kHz
Error Condition (Analogue)	0.1V or 2mA
Supply requirements	
Supply Voltage	5-36V (output signal clipping may occur under 11V)
Supply Current (Serial & V)	<20mA
Supply Current (Current)	<40mA at max analogue output
Environmental	
Electronics Temperature	-40 to +85 °C (-40 to +247 °F)
Ingress Protection	IP68 / IP69K
Performance	
Stroke	+/- 12.5mm from centre (25mm Max range)
Accuracy	+/- 1% of full-scale deflection at 20 °C
Resolution	10 Bit (1024 steps) Full Scale
Linearity	Config file can be installed for custom linear function

609 – 25mm Stroke Inductive Position Sensor

Technical Article	Specification
Cable	
Wires	24 AWG 7/0.2 Type A BS3G 20
Cable Jacket material	PUR
Screen	Unscreened
Temperature Rating	-20 to +80 °C fixed installation
Materials	
External Body	Polyamide over mould
Mounting Supports	304 Stainless Steel

Connection Data

Wire Colour	Function
Brown	Supply Voltage (5-32V)
Black	Supply Ground
Blue	Analogue
White	RS485 Serial Tx
Grey	RS485 Serial Rx

Osico reserves the right to unilaterally amend all information and statements at any time.